

AUTOMATIC AIR VENT FOR RADIATORS



R200

Use

The automatic air vent valve for radiators allows the removal of gases created during the operation of the system. These gases of different nature (air, oxygen, hydrogen, etc.) can cause system malfunction such as noises, air pockets that limit the operation of the heat sources and corrosion phenomenon.

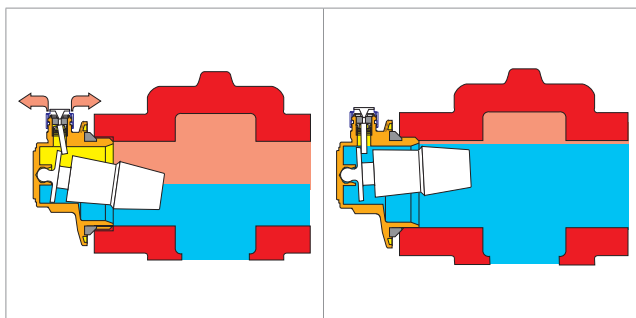
Features

R200 automatic air vent valve is the result of a continuous research that enabled the introduction into the market of a technologically advanced and highly reliable product.

The self-sealing washer made of special plastic material allows a rapid and easy installation on heat sources made of steel, cast iron and aluminium with very good aesthetic outcome. The internal float and the vent mechanism, studied on purpose, guarantee a continuous and silent automatic vent.

Installation

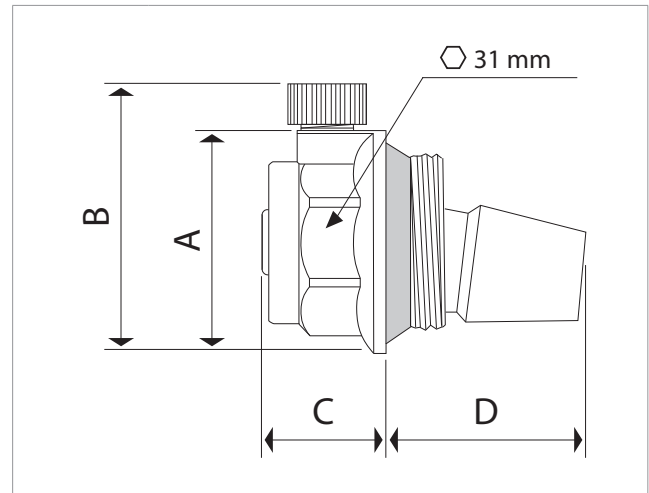
The correct assembly position that allows the regular valve operation, has the vertical vent upwards, as shown in the picture. Misalignment of the vent as to the vertical, included in the range + - 10° due to the assembly, do not compromise the vent capabilities of the R200 valve. The cap of the vent must be unscrewed during the operation to allow the air discharge; by screwing it deeply, the passage orifice closes preventing the automatic vent. During the valve mounting it is opportune to grease slightly the self-sealing washer, in order to avoid damages to it due to excessive friction. The regular operation of the R200 automatic air vent valve can be compromised if the system water carries suspended impurities. In these cases (if there is no possibility of installing filters) it is opportune to carry out periodical washing of the system, and upon demounting, proceed with a cleaning maintenance of the automatic valves, so as to keep them perfectly efficient.



Technical data

- Maximum working temperature: 120°C
- Maximum working pressure: 14 bar
- Pressure to which the maximum discharge corresponds: 7 bar
- 1" and 1 1/4" threaded right and left connections
- Chrome plated brass body
- EPDM self-sealing washer

Dimensions



Product code	Connections	A [mm]	B [mm]	C [mm]	D [mm]
R200X001	1" right	41	49	23	37
R200X002	1" left				
R200X003	1"1/4 right	57	61	25	35
R200X004	1"1/4 left				

Product specifications

Automatic air vent valve with chrome plated brass body, EPDM self-sealing washer. Max. working temperature 120°C. Max. working pressure 14 bar. 1" and 1 1/4" threaded right and left connections

Additional information

For additional information please check the Giacomini website at the following address: www.giacomini.com

- ☎ +39 0322 923 372
- ☎ +39 0322 923 255
- ✉ consulenza.prodotti@giacomini.com

This pamphlet is merely for information purposes. Giacomini S.p.A. retains the right to make modifications for technical or commercial reasons, without prior notice, to the items described in this pamphlet. The information described in this technical pamphlet does not exempt the user from following carefully the existing regulations and norms on good workmanship.

Giacomini S.p.A. Via per Alzo 39, I-28017 San Maurizio d'Opaglio (NO) Italy