

TWIN-PIPE VALVES WITH THERMOSTATIC OPTION FOR PLATES



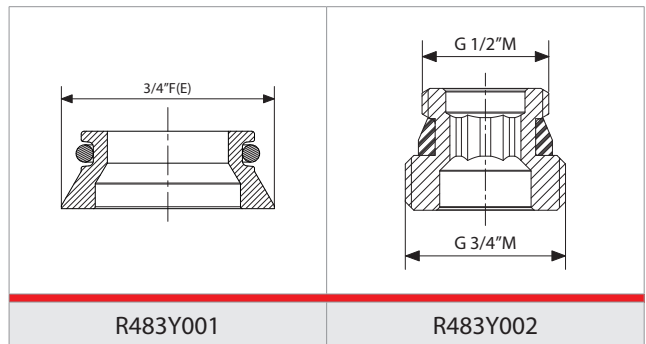
R385T

R386T

T386T

Description

Twin-pipe valve with thermostatic option for plates, with flat seat on radiator connection, shut-off and balancing lockshield valves included. The mounting of the thermostatic head is allowed only by right in the angle versions R386T and T386 (brilliant chrome plated version for towel-dryer), while in the straight version R385T, the thermostatic head can be mounted either from right, or from left. By the installation, follow the flow directions marked on the valve body. The supply includes the self-sealing adaptors R483Y001 3/4"E flat seat) and R483Y002 (G 1/2" x G 3/4").



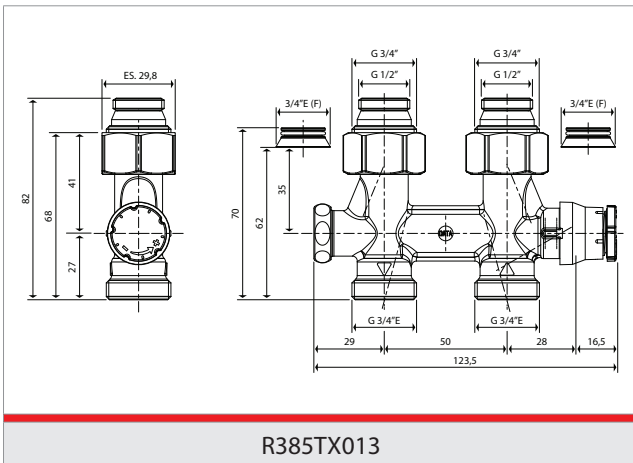
R483Y001

R483Y002

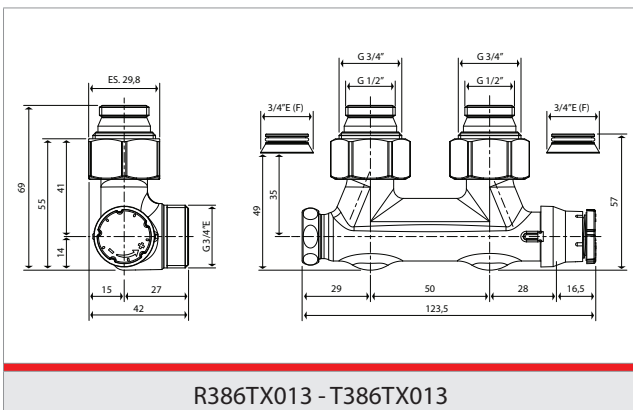
Technical data

- Maximum working temperature: 110°C
- Maximum working pressure: 1 MPa (10 bar)
- Maximum differential pressure (with thermostatic head): 0,14 MPa (1,4 bar)

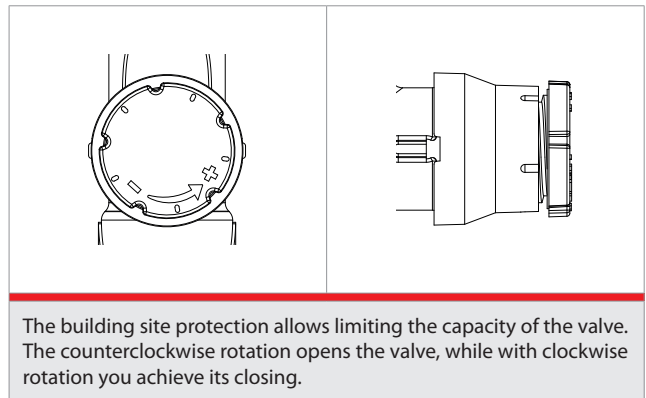
Dimensions



R385TX013



R386TX013 - T386TX013

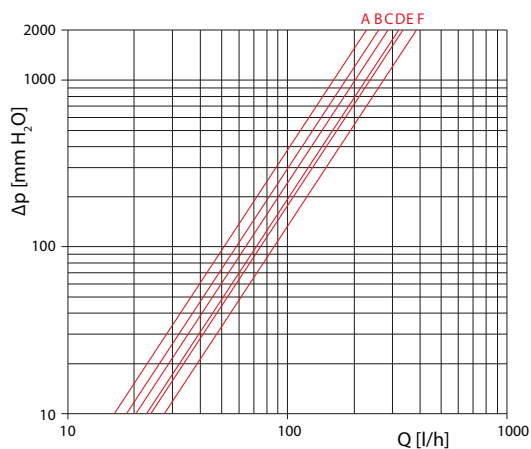


The building site protection allows limiting the capacity of the valve. The counterclockwise rotation opens the valve, while with clockwise rotation you achieve its closing.

TWIN-PIPE VALVES WITH THERMOSTATIC OPTION FOR PLATES

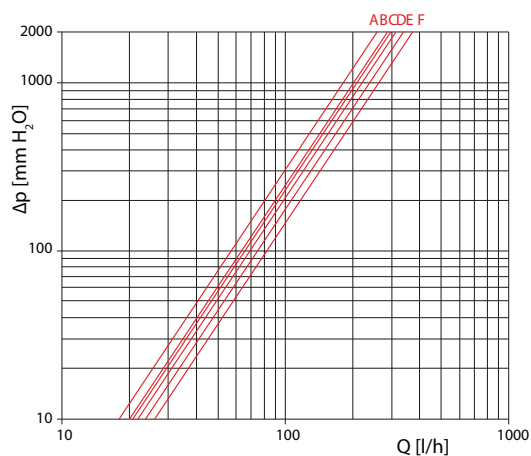
Losses of pressure

R385TX013 - Lockshield valve regulation



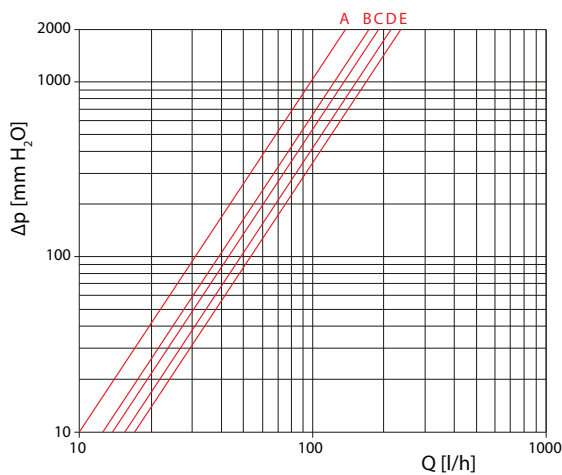
Letter on graphic		Kv
A	1	0,51
B	1,25	0,58
C	1,5	0,64
D	2,5	0,72
E	3,5	0,75
F	T.A.	0,86

R386TX013 - T386TX013 - Lockshield valve regulation



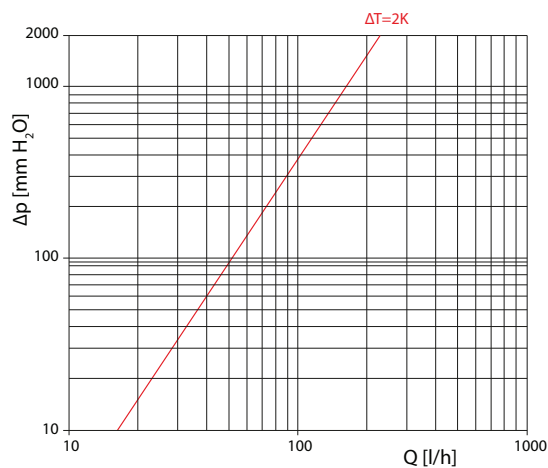
Letter on graphic		Kv
A	1	0,57
B	1,5	0,63
C	2	0,65
D	3	0,69
E	4	0,75
F	T.A.	0,82

**R385TX013 - R386TX013 - T386TX013
Position ΔT=2K and lockshield valve regulation**



Letter on graphic		Kv
A	1/2	0,31
B	1	0,37
C	2	0,42
D	3	0,47
E	T.A.	0,51

R386TX013 - T386TX013 - Position ΔT=2K



	Kv
ΔT = 2K	0,51

Additional information

For additional information please check the Giacomini website at the following address: www.giacomini.com

+39 0322 923 372

+39 0322 923 255

consulenza.prodotti@giacomini.com

This pamphlet is merely for information purposes. Giacomini S.p.A. retains the right to make modifications for technical or commercial reasons, without prior notice, to the items described in this pamphlet. The information described in this technical pamphlet does not exempt the user from following carefully the existing regulations and norms on good workmanship.

Giacomini S.p.A. Via per Alzo 39, I-28017 San Maurizio d'Opaglio (NO) Italy